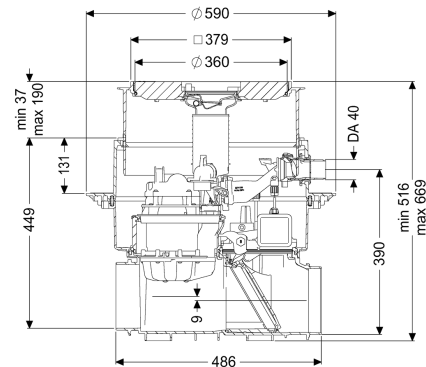


Backwater lifting station Ecolift w/o socket, Floor slab, black



Article information

Item no.: 21000S
 GTIN: 4026092058558
 Price group: 20

Advantages

- Hybrid function: uses the natural fall to the sewer - pump is only used in case of backwater
- Quiet and energy-saving
- Double safety due to backwater flap and pressure loop

Description

The backwater lifting station for faecal and non-faecal wastewater is equipped with one pump and one motor-driven closure system. The pipe cross-section is normally open and the water drains to the sewer via natural fall. Backwater is detected by an optical probe, which causes the motor-driven closure system to close automatically. During the backwater phase, the water drains via a pressure pipe, which carries the wastewater above the backwater level and into the sewer. Connection hole in the drain body for installation in the ground, incl. seal for pressure pipe and cable conduit. The station is controlled by a user-friendly control unit, which is optionally integrated in the building management system via a potential-free contact, or alarm and collective fault messages can be output via a GSM interface.

Variant

| | |
|-------------------------------------|----------------|
| Emergency closure: | yes |
| Passage seal for conduit pipe (DN): | 50 |
| Pump control: | Control unit |
| Protection class, probe: | IP 68 (3m/48h) |
| Motor-driven backwater flaps: | 1 |

General characteristics

| | |
|---------------------|-------------|
| Colour: | black |
| Nominal size (DN): | - |
| Type of wastewater: | with sewage |

| | |
|--|--|
| Installation situation: | floor slab installation |
| Delivery state: | Pre-mounted for final assembly on site (pumps and sensor system must be fitted on site and control unit must be connected) |
| Approval: | Z-53.2-487 |
| Motor type: | KSM 140 |
| Type de protection moteur: | IP 68 (3m/48h) |
| Dimensions | |
| Net weight: | 28 kg |
| Gross weight: | 33,5 kg |
| Groundwater resistant from lower edge of base section: | 3000 mm |
| Cutout dimension, width: | 750 mm |
| Cutout dimension, length: | 750 mm |
| Vertical drop between inlet and outlet: | 9 mm |
| Installation depth: | 516 - 669 mm |
| Type of height adjustability: | vertically adjustable upper section |
| Length: | 590 mm |
| Width: | 590 mm |
| Packaging dimension: | length |
| Packaging dimension: | width |
| Packaging dimension: | height |
| Tank/drain body | |
| Nominal pressure (PN): | 6 |
| Pressure pipe connection (OD): | 40 mm |
| Socket version: | optional |
| Coverage features | |
| Type of cover: | Cover plate with slotted cover |
| Cover material: | Polymer |
| Colour of cover: | black |
| Width of cover: | 366 mm |
| Length of cover: | 366 mm |
| Drainage function: | yes |
| Locking: | Lock & Lift |
| Load class: | L 15 (EN 1253-1) |
| Odour trap: | Multistop |
| Pumping device | |
| Pump: | SPZ 1000 |
| Number of pumps: | 1 |
| Weight, pump: | 10 kg |
| Connection type: | coded plug |
| Rated current: | 5,2 A |
| Length of mains cable for pump: | 5 m |
| Protection class: | I |
| Insulation class: | F |
| Cos phi - power factor: | 0,97 |

| | |
|--|--------------------------------|
| Protection class (pump): | IP 68 (3m/48h) |
| Temperature monitoring: | integrated |
| Max. temperature (permanent) of conveyed material: | 40 °C |
| Max. pumping capacity: | 11,5 m ³ /h |
| Max. pumping height: | 10 m |
| Speed: | 2800 U/min |
| Power P1: | 1,2 kW |
| Power P2: | 0,69 kW |
| Operating mode: | S3 - 50 % |
| Type of fuse required (electrical protection): | C 16 A |
| Type of pump connection cable: | H07RN-F 3G 1.5 mm ² |
| Impeller type: | Macerator |
| Control | |
| Control unit: | Comfort |
| Standby power: | 5 W |
| Alarm sensor: | optical probe |
| Level measurement instrument: | optical probe |
| Type of level measurement: | optical |
| Protection class control unit: | IP 54 |
| Operating voltage: | 230 V |
| Connection type: | coded plug |
| Length of mains cable for control unit: | 1,4 m |
| Potential-free contact: | yes |
| GSM interface: | no |
| USB interface: | no |
| Log book function: | yes |
| Multi-line display: | yes |
| Battery buffering: | yes |
| Self-diagnosis system (SDS): | yes |
| Rated current: | 5,2 A |