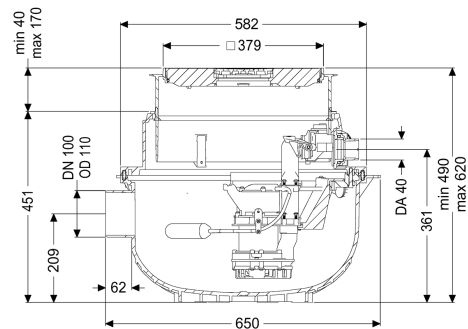


## Aqualift S Compact lift stat. Mono, GTF 500, resistant, Floor slab



### Article information

Item no.: 280500SC  
 GTIN: 4026092082607  
 Price group: 20

### Advantages

- Space-saving due to installation in floor slab with integrated drainage function
- Easy retrofitting from Mono to Duo possible
- Quiet operation, as the pump installation does not cause any structure-borne sound emissions.

### Description

The ready to plug in lifting station for faecal-free wastewater is equipped with one or two submersible pumps and a backflow preventer. The collection tank made of permanently resistant polymer (PE) has an open pump tank. One-handed closures enable easy removal of the integrated components. The system for installation in the floor slab is preassembled for final installation on site.

#### Variant

Type of system:  
 Resistant:

Single unit  
 Resistant to saline media, wastewater from water softening systems and wastewater containing condensate from heating systems

Pump control:  
 Backflow preventer:

Float switch  
 integrated

#### General characteristics

Colour:  
 Standard:  
 Type of wastewater:  
 Installation situation:  
 Delivery state:

black  
 EN 12050-2  
 without sewage  
 floor slab installation  
 Installation-ready (connection parts must be connected on site)

System type:

Mono

#### Dimensions

Net weight:	16,17 kg
Gross weight:	19,45 kg
Groundwater resistant from lower edge of base section:	3000 mm
Installation depth:	490 - 620 mm
Type of height adjustability:	vertically adjustable upper section
Length:	617 mm
Width:	585 mm
Packaging dimension:	length
Packaging dimension:	width
Packaging dimension:	height

#### Tank/drain body

Pressure pipe connection (DN):	32
Pressure pipe connection (OD):	40 mm
Inlet nominal size (DN):	100 mm
Pumping volume:	16 l

#### Coverage features

Type of cover:	Cover plate with slotted cover
Cover material:	Polymer
Colour of cover:	black
Width of cover:	366 mm
Length of cover:	366 mm
Locking:	Lock & Lift
Load class:	K 3 (EN 1253-1)

#### Pumping device

Pump:	GTF 500 resistant
Number of pumps:	1
Connection type:	Schuko (earthed contact) 2-pin
Rated current:	2,7 A
Length of mains cable for pump:	5 m
Protection class (pump):	IP 68 (3m)
Temperature monitoring:	integrated
Max. temperature (permanent) of conveyed material:	40 °C
Hot water resistance for a short time (2 min):	80 °C
Max. pumping capacity:	10 m <sup>3</sup> /h
Max. pumping height:	8 m
Speed:	2800 U/min
Power P1:	0,6 kW
Power P2:	0,36 kW
Operating mode:	S1
Type of fuse required (electrical protection):	C 16 A
Type of pump connection cable:	H07RN-F 3G 1.5 mm <sup>2</sup>
Impeller type:	Multi-vane impeller
Free passage:	10 mm

Control

Level measurement instrument:

Float switch

Type of level measurement:

mechanical

Mains frequency:

50 Hz

Operating voltage:

230 V

Connection type:

Schuko (earthed contact) 2-pin

Rated current:

2,7 A