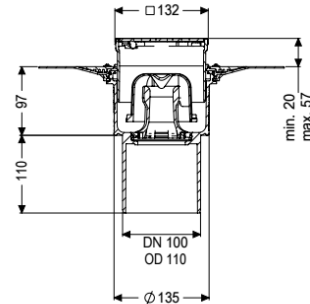
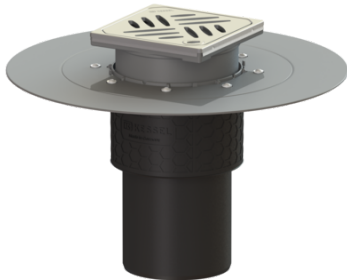


Ecoguss project drain glu. flange DN 100, vertical, Design cover



Article information

Item no.: 48611.63
 GTIN: 4026092054468
 Price group: 40

Advantages

- High-tech Ecoguss composite material
- Ecoguss, highest fire protection standards
- Scientifically confirmed sound protection effect

Description

The Ecoguss floor/roof drain is used for point drainage and is equipped with a glued flange, a removable odour trap, a lip seal and a temporary protective cover. The recyclable composite material Ecoguss fulfils the highest sound protection requirements, is resistant to aggressive media, temperature resistant and has a permanently corrosion-free surface. It can be exposed to flames of 100 up to 400 degrees Celsius for short periods. The glued flange with a flange width of 50 mm is suitable for connecting waterproofing layers in accordance with DIN 18534, for all waterproofing classes. The loose flange is used for clamping polymer and elastomer sealing sheets as well as for cold bitumen seals and is therefore only suitable for use with moisture barriers. The outlet socket is suitable for connection to SML cast iron pipes. Separate equipotential bonding is not necessary.

Variant

| | |
|--|--|
| System: | 125 |
| Waterproofing layer on the upper section: | Connection flange |
| Waterproofing layer on the drain body: | Adhesive flange (suitable for moisture barriers) |
| Water exposure class in accordance to DIN 18534-1 (up to and including): | W3-I |
| Sealing water height: | 50 mm |

General characteristics

| | |
|----------------------|---------------------------|
| Standard: | EN 1253-1 |
| Nominal size (DN): | 100 |
| Outer diameter (OD): | 110 mm |
| Approval: | Z-19.53-2414,Z-19.17-1719 |

| | |
|-------------------------------|---|
| ATEX: | no |
| Odour trap: | included |
| Dimensions | |
| Net weight: | 2,63 kg |
| Gross weight: | 3,22 kg |
| Diameter: | 348 mm |
| Type of height adjustability: | vertically adjustable upper section |
| Length: | 348 mm |
| Width: | 348 mm |
| Packaging dimension: | length |
| Packaging dimension: | width |
| Packaging dimension: | height |
| Tank/drain body | |
| Number of outlets: | 1 |
| Material of drain body: | Ecoguss |
| Socket version: | vertical |
| Coverage features | |
| Type of cover: | Design cover |
| Cover material: | Stainless steel 14301 |
| Colour of cover: | silver |
| Width of cover: | 120 mm |
| Length of cover: | 120 mm |
| Frame material: | Stainless steel 14301 |
| Locking: | Lock & Lift |
| Load class: | L 15 (EN 1253-1) |
| Grating design: | Kessel |
| Slip resistance class: | R9 according to DIN 51130; C according to DIN 51097 |
| Rim width: | 132 mm |
| Rim length: | 132 mm |
| Max. flooring height: | 16 mm |
| Upper section: | vertically adjustable |
| Upper section material: | ABS |