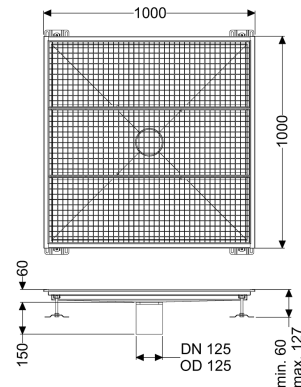
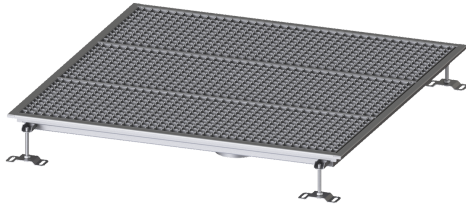


## Floor Tray Ferrofix without glued flange, 1000x1000mm



### Article information

Item no.: 6100100  
 GTIN: 4026092066508  
 Price group: 80

### Advantages

- Made of particularly a hygienic and mechanically highly resistant stainless steel
- Variably combinable with suitable drain bodies

### Description

The Floor tray Ferrofix made of stainless steel with a material thickness of 2.0 mm (pickled in the immersion bath) is equipped with polished visible ridges, longitudinal and transverse slopes, feet for height adjustment and stainless steel outlet nozzles.

#### Variant

Waterproofing layer on the upper section: Connection flange

#### General characteristics

Nominal size (DN): 125  
 Outer diameter (OD): 125 mm  
 ATEX: no

#### Dimensions

Net weight: 45 kg  
 Gross weight: 45 kg  
 Length: 1000 mm  
 Width: 1000 mm  
 Height: 60 mm  
 Packaging dimension: length  
 Packaging dimension: width  
 Packaging dimension: height

#### Coverage features

Type of cover: Slotted cover

|                         |  |
|-------------------------|--|
| Colour of cover:        | silver   |
| Locking:                | placed   |
| Load class:             | L 15 (EN 1253-1)                                     |
| Slip resistance class:  | R12 according to DIN 51130; C according to DIN 51097 |
| Upper section material: | Stainless steel 14301                                |