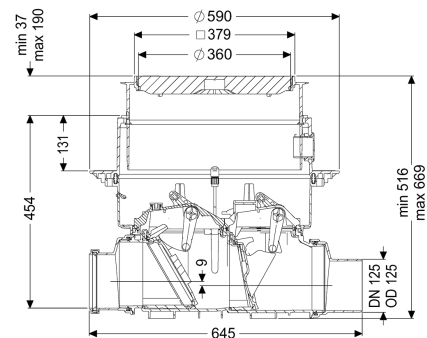


Staufix FKA auto. backwater valve DN 125, Floor slab, black



Article information

Item no.: 84125S
 GTIN: 4026092046388
 Price group: 30

Advantages

- Safe, motor-driven closure system with optical probe
- Fast, simple and toolless maintenance
- Available as a complete set or module set

Description

The Premium automatic backwater valve for faecal and faecal-free wastewater is equipped with a motor-driven closure system which is closed automatically in the event of backwater. A second closure system serves as an emergency closure to be closed by hand. The station is controlled by a user-friendly control unit, which is optionally integrated in the building management system via a potential-free contact, or alarm and collective fault messages can be output via a GSM interface. Thanks to the modular KESSEL system, existing systems can easily be converted to a Pumpfix F backwater pumping station.

Variant

| | |
|-------------------------------|----------------|
| Emergency closure: | yes |
| Protection class, probe: | IP 68 (3m/48h) |
| Motor-driven backwater flaps: | 1 |
| Mechanical backwater flaps: | 1 |

General characteristics

| | |
|-------------------------|-------------------------|
| Colour: | black |
| Standard: | EN 13564 |
| Nominal size (DN): | 125 |
| Outer diameter (OD): | 125 mm |
| Type of wastewater: | with sewage |
| Installation situation: | floor slab installation |

| | |
|--|--|
| Delivery state: | Pre-mounted for final assembly on site (sensor system must be fitted on site and control unit must be connected) |
| Backwater protection: | Type 3 |
| Motor type: | KSM 140 |
| Type de protection moteur: | IP 68 (3m/48h) |
| Cable length: | 5 m |
| Dimensions | |
| Net weight: | 16,5 kg |
| Gross weight: | 21,37 kg |
| Groundwater resistant from lower edge of base section: | 3000 mm |
| Cutout dimension, width: | 750 mm |
| Cutout dimension, length: | 750 mm |
| Vertical drop between inlet and outlet: | 9 mm |
| Installation depth: | 516 - 669 mm |
| Type of height adjustability: | vertically adjustable upper section |
| Length: | 645 mm |
| Width: | 590 mm |
| Packaging dimension: | length |
| Packaging dimension: | width |
| Packaging dimension: | height |
| Tank/drain body | |
| Socket version: | including spigot and socket |
| Coverage features | |
| Type of cover: | Cover plate |
| Cover material: | Polymer |
| Colour of cover: | black |
| Width of cover: | 366 mm |
| Length of cover: | 366 mm |
| Locking: | Lock & Lift |
| Load class: | L 15 (EN 1253-1) |
| Tightness: | surface water resistant |
| Control | |
| Control unit: | Comfort |
| Alarm sensor: | optical probe |
| Level measurement instrument: | optical probe |
| Type of level measurement: | optical |
| Protection class control unit: | IP 54 |
| Mains frequency: | 50 Hz |
| Operating voltage: | 230 V |
| Length of mains cable for control unit: | 1,4 m |
| Potential-free contact: | optional |
| GSM interface: | yes |
| USB interface: | yes |
| Log book function: | yes |

| | |
|------------------------------|-----|
| Multi-line display: | yes |
| Battery buffering: | yes |
| Self-diagnosis system (SDS): | yes |
| Connection to the BCS, BAC: | yes |