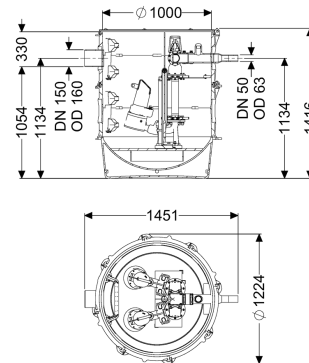


Pumping station Aquapump XL Duo, STZ 2500-S1, ATEX



Article information

Item no.: 8743018
 GTIN: 4026092075722
 Price group: 60

Advantages

- Maximum safety
- Flexible installation
- Suitable for potentially explosive atmospheres

Description

The pumping station with ATEX approval for wastewater with and without sewage is equipped with one or two submersible pumps, a backflow preventer and a shut-off valve for the pressure pipe. The collection tank made of permanently resistant polymer (PE) has an open pump tank (wet installation) with universal connection options. The station is controlled by a user-friendly control unit, which is optionally integrated in the building management system via a potential-free contact. Alternatively, alarm and collective fault messages can be output via a GSM interface. The KESSEL modular system provides different engineering chamber options as accessories for the further layout. Stainless steel pump removal chain available as accessory. Art. no. 680 528 = length 2 m 680 529 = length 3 m 680 530 = length 4 m 680 531 = length 5 m

Variant

| | |
|---|--------------------------------------|
| Note on installation depth: | in combination with a chamber module |
| Type of system: | duo pump |
| Shut-off valve: | Shut-off valve made of polymer |
| Passage seal for conduit pipe (DN): | 100 |
| Access steps: | yes |
| Passage seal for ventilation pipe (DN): | 100 |
| Installation: | Wet installation |
| Pump control: | Control unit |
| Backflow preventer: | integrated |
| Pressure pipe connection: | horizontal |

General characteristics

| | |
|--|--|
| Colour: | black |
| Standard: | EN 12050-1 |
| Type of wastewater: | with sewage |
| Installation situation: | underground installation |
| Delivery state: | Pre-mounted for final assembly on site (pumps and sensor system must be fitted on site and control unit must be connected) |
| System type: | Duo |
| ATEX: | yes |
| Dimensions | |
| Net weight: | 240 kg |
| Gross weight: | 263 kg |
| Groundwater resistant from lower edge of base section: | 3000 mm |
| Length: | 1240 mm |
| Width: | 1240 mm |
| Height: | 1416 mm |
| Packaging dimension: | length |
| Packaging dimension: | width |
| Packaging dimension: | height |
| Tank/drain body | |
| Pressure pipe connection (DN): | 50 |
| Pressure pipe connection (OD): | 63 mm |
| Distance from centre of outlet pipe to tank bottom: | 1134 mm |
| Distance pipe bottom inlet to tank bottom: | 1054 mm |
| Distance from centre of inlet pipe to tank bottom: | 1134 mm |
| Distance from inlet pipe invert to top of tank: | 330 mm |
| Inlet max. scoring (DN): | 150 mm |
| Inlet nominal size (OD): | 160 mm |
| Inlet nominal size (DN): | 150 mm |
| Number of inlets: | 1 |
| Clear width of tank (LW): | 1000 mm |
| Pumping volume: | 300 l |
| Pumping device | |
| Pump: | STZ 2500 |
| Number of pumps: | 2 |
| Weight, pump: | 33 kg |
| Connection type: | Direct connection |
| Rated current: | 4,4 A |
| Protection class: | I |
| Insulation class: | H |
| Cos phi - power factor: | 0,83 |
| Protection class (pump): | IP 68 (20m) |
| Temperature monitoring: | integrated |

| | |
|--|---------------------------------|
| Max. temperature (permanent) of conveyed material: | 40 °C |
| Max. pumping capacity: | 21 m ³ /h |
| Max. pumping height: | 33 m |
| Speed: | 2900 U/min |
| Power P1: | 2,5 kW |
| Power P2: | 1,9 kW |
| Operating mode: | S1 |
| Type of pump connection cable: | H07RN8-F 6G 1.5 mm ² |
| Impeller type: | Macerator |
| Length of mains cable for pump: | 10 m |
| | |
| Control | |
| Control unit: | Comfort |
| Motor protection switch: | yes |
| Alarm sensor: | Level sensor |
| Level measurement instrument: | Level sensor |
| Type of level measurement: | hydrostatic |
| Protection class control unit: | IP 54 |
| Mains frequency: | 50 Hz |
| Operating voltage: | 400 V |
| Connection type: | Direct connection |
| Potential-free contact: | yes |
| GSM interface: | yes |
| Log book function: | yes |
| Multi-line display: | yes |
| Battery buffering: | yes |
| Self-diagnosis system (SDS): | yes |