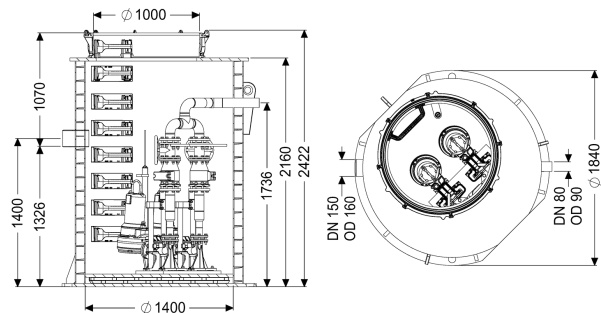


Pumping station Aquapump XXL Duo, STZ 11000-S1, AX



Article information

Item no.: 8743042
 GTIN: 4026092078105
 Price group: 60

Description

The pumping station is equipped with one or two submersible pumps and a backflow preventer. The collection tank made of permanently resistant polymer (PE) has an open pump tank with universal connection options. Quick-release closures enable the integrated components to be removed easily. The KESSEL modular system provides different engineering chamber options as accessories for the further layout. Stainless steel pump removal chains available as accessory for each installation depth - Article number:

680528 = Length 2 m 680529 = Length 3 m
 680530 = Length 4 m 680531 = Length 5 m

Variant

Note on installation depth:

Type of system:

Shut-off valve:

Passage seal for conduit pipe (DN):

Access steps:

Passage seal for ventilation pipe (DN):

Installation:

Pump control:

Backflow preventer:

Pressure pipe connection:

Chamber system:

in combination with a chamber module

duo pump

Shut-off valve made of cast iron

100

yes

100

Wet installation

Control unit

integrated

horizontal

Twin walled re-enforced pipe chamber

General characteristics

| | |
|-------------------------|--|
| Colour: | black |
| Standard: | EN 12050-1 |
| Type of wastewater: | with sewage |
| Installation situation: | underground installation |
| Delivery state: | Pre-mounted for final assembly on site (pumps and sensor system must be fitted on site and control unit must be connected) |
| System type: | Duo |

Dimensions

| | |
|--|----------|
| Net weight: | 845,9 kg |
| Gross weight: | 913,9 kg |
| Groundwater resistant from lower edge of base section: | 3000 mm |
| Length: | 1880 mm |
| Width: | 1880 mm |
| Height: | 2440 mm |
| Packaging dimension: | length |
| Packaging dimension: | width |
| Packaging dimension: | height |

Tank/drain body

| | |
|---|---------|
| Pressure pipe connection (DN): | 80 |
| Pressure pipe connection (OD): | 90 mm |
| Distance from centre of outlet pipe to tank bottom: | 1735 mm |
| Distance pipe bottom inlet to tank bottom: | 1320 mm |
| Distance from centre of inlet pipe to tank bottom: | 1400 mm |
| Distance from inlet pipe invert to top of tank: | 1090 mm |
| Inlet nominal size (OD): | 160 mm |
| Inlet nominal size (DN): | 150 mm |
| Number of inlets: | 1 |
| Clear width of tank (LW): | 1600 mm |
| Clear width of entry (LW): | 1000 mm |
| Pumping volume: | 800 l |

Pumping device

| | |
|--------------------------|-------------------|
| Pump: | STZ 11000 |
| Number of pumps: | 2 |
| Weight, pump: | 107 kg |
| Connection type: | Direct connection |
| Rated current: | 18,8 A |
| Protection class: | I |
| Insulation class: | H |
| Cos phi - power factor: | 0,89 |
| Protection class (pump): | IP 68 (20m) |
| Temperature monitoring: | integrated |

| | |
|--|--------------------------------------|
| Max. temperature (permanent) of conveyed material: | 40 °C |
| Max. pumping capacity: | 30,6 m ³ /h |
| Max. pumping height: | 68 m |
| Speed: | 2900 U/min |
| Power P1: | 11 kW |
| Power P2: | 9,5 kW |
| Operating mode: | S1 |
| Type of pump connection cable: | H07RN8-F PLU 10G 1.5 mm ² |
| Impeller type: | Macerator |
| Length of mains cable for pump: | 10 m |
| Control | |
| Control unit: | Comfort Plus SD |
| Motor protection switch: | yes |
| Alarm sensor: | Level sensor |
| Level measurement instrument: | Level sensor |
| Type of level measurement: | hydrostatic |
| Protection class control unit: | IP 54 |
| Mains frequency: | 50 Hz |
| Operating voltage: | 400 V |
| Connection type: | Direct connection |
| Potential-free contact: | yes |
| GSM interface: | yes |
| USB interface: | yes |
| Log book function: | yes |
| Multi-line display: | yes |
| Battery buffering: | yes |
| Self-diagnosis system (SDS): | yes |