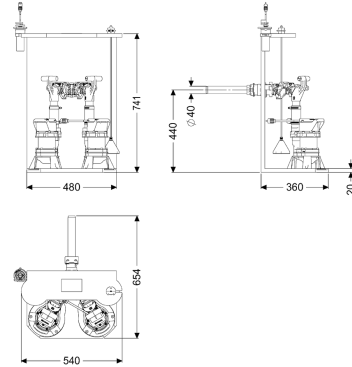


Pump system Aquapump Retrofit Duo, GTF 600, submersible pressure switch



Article information

Item no.: 8744000
 GTIN: 4026092103302
 Price group: 60

Description

The pump system for installation in existing collection tanks for wastewater without sewage is equipped with two submersible pumps, a backflow preventer and a manual locking device. The polymer profile (PE) is used to mount and fix the pumping station. Quick-release closures enable easy removal of the pumps. The station is controlled by a user-friendly control unit, which is optionally integrated in the building management system via a potential-free contact, or alarm and collective fault messages can be output via a GSM interface.

Variant

| | |
|---------------------------|--------------|
| Type of system: | duo pump |
| Pump control: | Control unit |
| Backflow preventer: | integrated |
| Pressure pipe connection: | horizontal |

General characteristics

| | |
|-------------------------|---|
| Standard: | EN 12050-2 |
| Type of wastewater: | without sewage |
| Installation situation: | installation in on-site collecting tank |
| Delivery state: | Modular set for assembly on site |
| System type: | Duo |

Dimensions

| | |
|---------------|-------|
| Net weight: | 24 kg |
| Gross weight: | 24 kg |

| | |
|--|--------------------------------|
| Packaging dimension: | length |
| Packaging dimension: | width |
| Packaging dimension: | height |
| Tank/drain body | |
| Pressure pipe connection (DN): | 32 |
| Pressure pipe connection (OD): | 40 mm |
| Pumping device | |
| Pump: | GTF 600 |
| Number of pumps: | 2 |
| Weight, pump: | 6 kg |
| Connection type: | Schuko (earthed contact) 2-pin |
| Operating voltage: | 230 |
| Mains frequency: | 50 Hz |
| Rated current: | 2,9 A |
| Length of mains cable for pump: | 10 m |
| Protection class: | I |
| Insulation class: | F |
| Cos phi - power factor: | 0,92 |
| Protection class (pump): | IP 68 (3m) |
| Temperature monitoring: | integrated |
| Max. temperature (permanent) of conveyed material: | 40 °C |
| Max. pumping capacity: | 12 m ³ /h |
| Max. pumping height: | 8 m |
| Speed: | 2750 U/min |
| Power P1: | 0,65 kW |
| Power P2: | 0,4 kW |
| Operating mode: | S1 |
| Type of pump connection cable: | H07RN-F 3G 1.5 mm ² |
| Impeller type: | Multi-vane impeller |
| Free passage: | 30 mm |
| Type of fuse required (electrical protection): | C 16 A |
| Control | |
| Control unit: | Comfort |
| Motor protection switch: | yes |
| Alarm sensor: | optical probe |
| Level measurement instrument: | Submersible pressure switch |
| Type of level measurement: | pneumatic |
| Protection class control unit: | IP 54 |
| Mains frequency: | 50 Hz |
| Operating voltage: | 230 V |
| Connection type: | Schuko (earthed contact) 2-pin |
| Length of mains cable for control unit: | 1,4 m |
| Potential-free contact: | optional |
| GSM interface: | yes |
| USB interface: | yes |
| Log book function: | yes |

| | |
|--|--------|
| Multi-line display: | yes |
| Battery buffering: | yes |
| Self-diagnosis system (SDS): | yes |
| Type of fuse required (electrical protection): | C 16 A |
| Rated current: | 2,9 A |