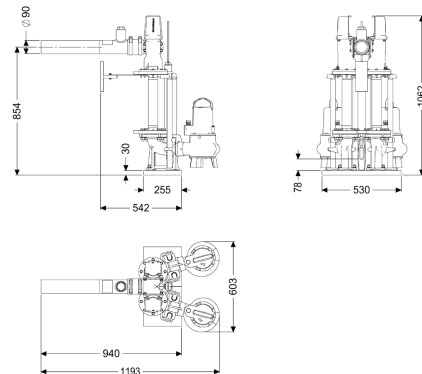


Pump system Aquapump Retrofit Duo, GTF 1600, Level sensor



Article information

Item no.: 8744022
 GTIN: 4026092103524
 Price group: 60

Description

Twin pump system, for installation in an on-site chamber module. Required minimum diameter of the on-site chamber:

1000 mm

Variant

| | |
|---------------------------|---|
| Type of system: | duo pump |
| Shut-off valve: | yes |
| Installation: | Wet installation |
| Pump control: | Control unit |
| Backflow preventer: | integrated |
| Pressure pipe connection: | vertical (special version, on request), horizontal (standard version) |

General characteristics

| | |
|-------------------------|--|
| Standard: | EN 12050-2 as well as EN 12050-1 (without ATEX requirements) |
| Type of wastewater: | for wastewater with or without sewage (in installation situations without ATEX requirements) |
| Installation situation: | installation in on-site collecting tank |
| System type: | Duo |
| ATEX: | no |

Dimensions

| | |
|---------------|----------|
| Net weight: | 119,6 kg |
| Gross weight: | 119,6 kg |

| | |
|--|--------------------------------|
| Packaging dimension: | length |
| Packaging dimension: | width |
| Packaging dimension: | height |
| Tank/drain body | |
| Pressure pipe connection (DN): | 90 |
| Pressure pipe connection (OD): | 80 mm |
| Pumping device | |
| Pump: | GTF 1600 |
| Number of pumps: | 2 |
| Connection type: | coded plug |
| Operating voltage: | 400 |
| Mains frequency: | 50 Hz |
| Rated current: | 2,9 A |
| Length of mains cable for pump: | 10 m |
| Protection class: | I |
| Protection class (pump): | IP 68 (3m) |
| Temperature monitoring: | integrated |
| Max. temperature (permanent) of conveyed material: | 40 °C |
| Max. pumping capacity: | 49 m ³ /h |
| Max. pumping height: | 9,3 m |
| Speed: | 2900 U/min |
| Power P1: | 1,6 kW |
| Power P2: | 1,2 kW |
| Operating mode: | S1 |
| Type of pump connection cable: | H07RN-F 3G 1.5 mm ² |
| Impeller type: | Multi-vane impeller |
| Type of fuse required (electrical protection): | 3 x C 16 A |
| Control | |
| Control unit: | Comfort |
| Alarm sensor: | Level sensor |
| Level measurement instrument: | Level sensor |
| Type of level measurement: | hydrostatic |
| Protection class control unit: | IP 54 |
| Mains frequency: | 50 Hz |
| Operating voltage: | 400 V |
| Connection type: | coded plug |
| Length of mains cable for control unit: | 1,4 m |
| Potential-free contact: | optional |
| GSM interface: | yes |
| USB interface: | yes |
| Log book function: | yes |
| Multi-line display: | yes |
| Battery buffering: | yes |
| Self-diagnosis system (SDS): | yes |
| Type of fuse required (electrical protection): | 3 x C 16 A |
| Rated current: | 2,9 A |